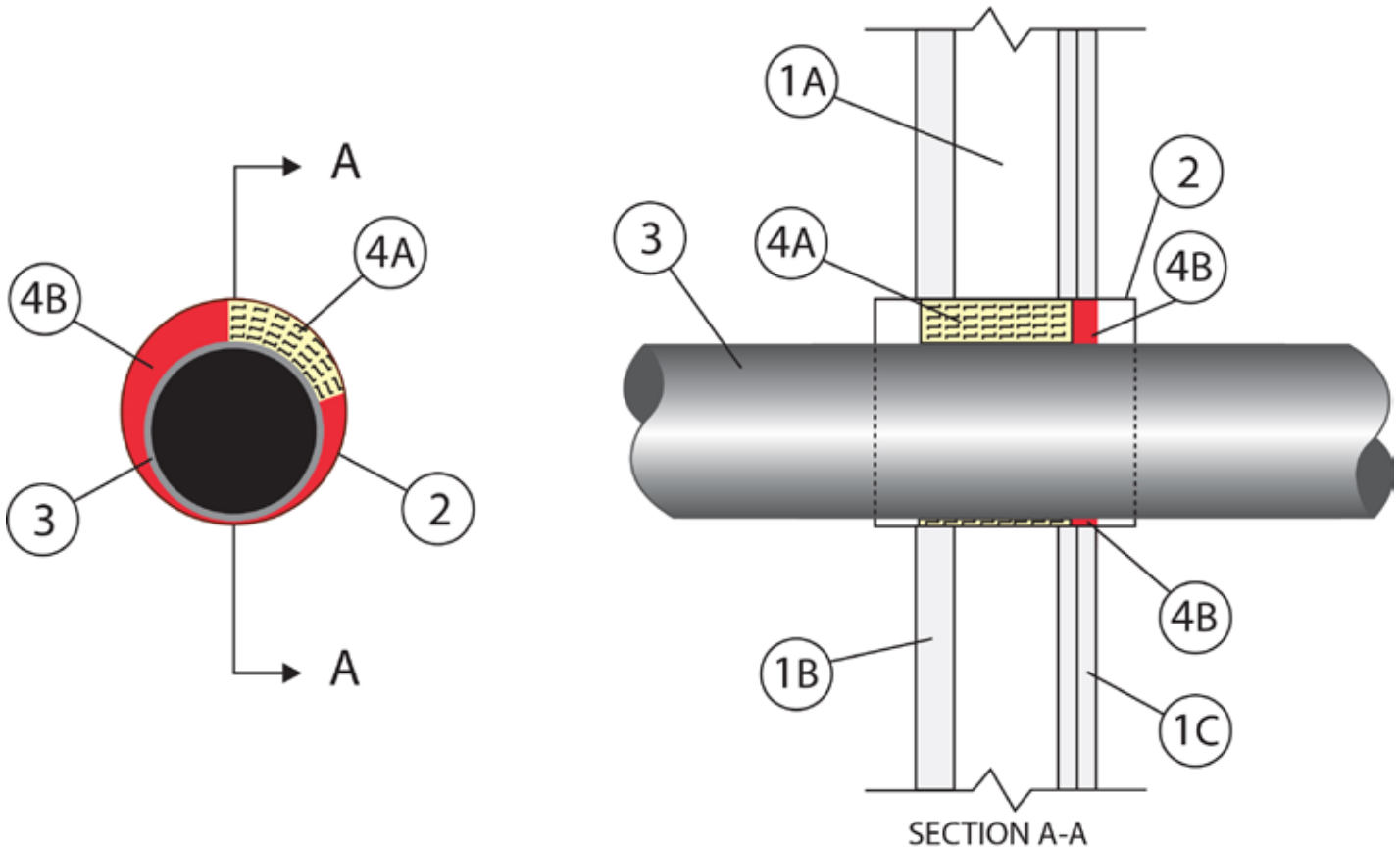


System No. W-L-7187

October 20, 2008

F Ratings – 1 and 2 Hr (See Item 1)

T Rating – 1/4 Hr



1. Wall Assembly – The 1 or 2 hr fire-rated gypsum board/stud shaft wall assembly shall be constructed of the materials and in the manner specified in the individual U400 Series Wall and Partition Designs in the UL Fire Resistance Directory and shall incorporate the following construction features:

- A. Steel Studs – “C-H” or “C-T” shaped studs, min 2-1/2 in. (64 mm) wide by 1-1/2 in. (38 mm) deep, fabricated from min No. 25 gauge (0.6 mm thick) galv steel, spaced max 24 in. (610 mm) OC.**
- B. Gypsum Board* – 1 in. (25 mm) thick, 24 in. (610 mm) wide gypsum liner panels installed vertically.**
- C. Gypsum Board* – 1/2 in. or 5/8 in. (13 or 16 mm) thick, 48 in. (1.2 m) wide gypsum boards. The gypsum board type, thickness, number of layers, fastener type and sheet orientation shall be as specified in the individual Wall and Partition Design.**

The hourly F Rating of the firestop system is equal to the hourly fire rating of the wall assembly in which it is installed.

2. Steel Sleeve – Sleeve fabricated from min No. 28 gauge galv steel vent duct. Steel sleeve to extend 1 in. (25 mm) from the surface of wall, with sleeve centered and formed to fit periphery of through opening.

3. Steel Duct – One nom 8 by 8 in. (203 by 203 mm) (or smaller) or one nom 12 in. (305 mm) min No. 28 gauge galv steel vent duct to be installed either 26 concentrically or eccentrically within the firestop system. The annular space between the vent duct and the sleeve of the opening shall be min 1/4 in. to max 1-1/4 in. (6 to 32 mm). Steel vent duct to be rigidly supported on both sides of the wall assembly.

4. Firestop System – The firestop system shall consist of the following:

A. Forming Material – Min 4 in. (102 mm) thickness of min 4 pcf (64 kg/m³) mineral wool batt insulation tightly packed between the sleeve and duct as a permanent form within the sleeve. The mineral wool is to be installed from the finished side of the wall to a depth sufficient to accommodate the thickness of fill material required.

B. Fill, Void or Cavity Material* – Fill material thickness installed to 5/8 in. (16 mm) depth on finished side of wall assembly. A minimum 1/4 in. (6 mm) diameter bead of sealant applied around the perimeter of the steel sleeve.

FLAME TECH INC – Firestop-814+

***Bearing the UL Classification Mark**